



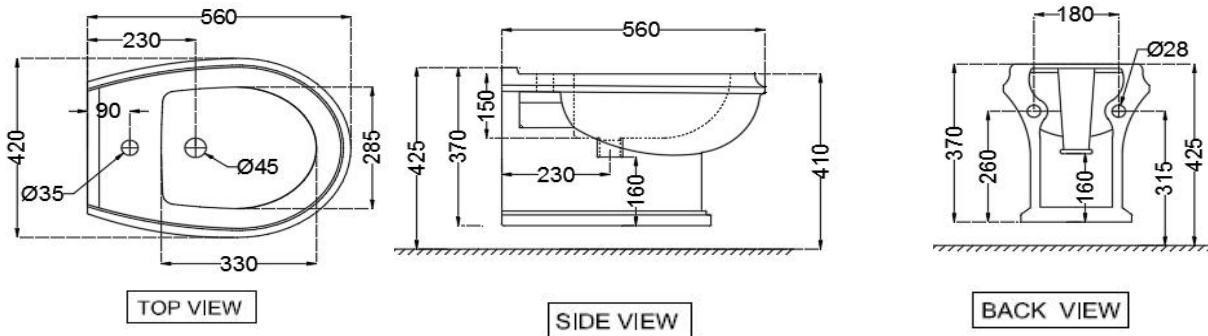
QPS-WHT-7153PM

SPECIFICATION DATA SHEET

PRODUCT DETAILS

Manufacturer :	Jaquar	Type:	Wall Hung-Bidet
Colour:	White		
Outlet	Vertical	Material:	Ceramic - Vitreous China
Technical Details:	Tap hole dia. $\varnothing 35 \pm 2$ mm		
	ID of waste outlet hole dia. $\varnothing 45 \pm 3$ mm		
Horizontal distance between the centre line of the tap hole and the centre line of the waste outlet hole $\leq 140$ mm			

PRODUCT IMAGE



Product Dimension	420x560x370 mm	FEATURES
Product Weight	22 kg	With over flow hole ,Blind installation, Anti germ glaze
<b>ACCESSORIES INCLUDED</b>		
Overflow hole cap		ZPS-WHT-9012B
<b>ACCESSORIES EXCLUDED</b>		
Rag bolt		ZPS-SNS-RB07
<b>CERTIFICATION</b>		

Compliance : SANS 497:2011

All technical dimensions are in accordance to British standards, Bureau of Indian Standards

DISCLAIMER: Our every effort has been made to ensure factual accuracy, the information presented subject to changes due to requirements in different sites, markets and/ or countries. All dimensions are in mm (Tolerance  $\pm 5$  MM). Jaquar reserves the right to make the necessary amendments at any time without prior notice.

