

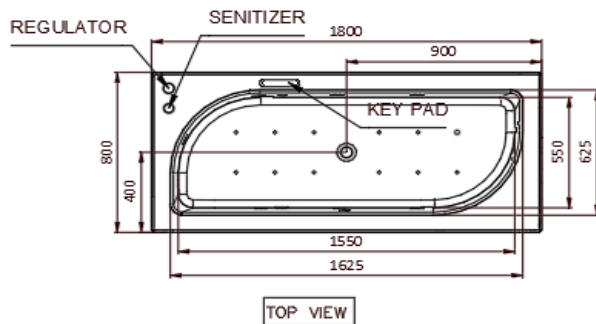


<b>Range Name</b>	Alive
<b>Category</b>	Whirlpool Combi System
<b>Code:</b>	JWP-WHT-ALIVE180CX

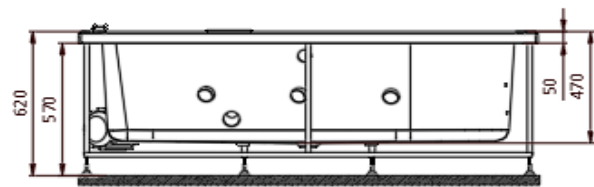


Image is only for illustration purpose

<b>Size (mm):</b>	1800 x 800 x 470	<b>Features</b>	Water Pump : 1.40 Hp@50 Hz
<b>Material:</b>	Acrylic PMMA		Water Jets : 8
<b>Reinforcement:</b>	PU GREEN		Back Jet : 4
<b>Accessories Included:</b>	- Drain & Overflow with Filler - Frame SS202 - Headrest		Air Blower : 0.90 Hp @50/60Hz
<b>Accessories Excluded:</b>	Front Panel : JWA-WHT-FP180X Side Panel: JWA-WHT-SP80X		Air Jets : 12
			Keypad Control
			Air Regulator
			Water Level Sensor
			Chromotherapy
			Disinfection System
			Vaccum Suction Breaker
			3 Tier Testing



TOP VIEW



FRONT VIEW