



SLS-WHT-6851S220PP

SPECIFICATION DATA SHEET

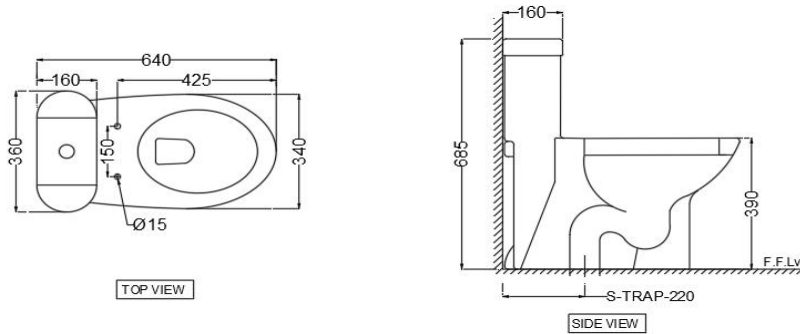
PRODUCT DETAILS

Manufacturer	Jaquar	Type	Single piece-WC (S trap)
Colour	White	Flush valves	Dual Flush
Outlet	Vertical	Material:	Ceramic - Vitreous China
Technical Details	External diameter of outlet hole $\varnothing 100 \pm 5$ mm Horizontal distance between the wall line and the centre line of the waste outlet hole ≤ 220 mm		

PRODUCT IMAGE



TECHNICAL DRAWING



Product Dimension	360x640x685 mm	FEATURES Box Rim with Dual Flushing ,Low hight,Dual Flush-3/6 LPF, Anti germ glaze.
Trap Distance	S Trap - 220 mm	
Product Weight	35.55 Kg	
ACCESSORIES INCLUDED		
PP soft Close seat cover		SLS-WHT-6103PP
Floor fixing screw		ZPS-SNS-FB02
Wax Seal		ZPS-WHT-1401

CERTIFICATION

Compliance : EN 997:2012 + A1:2015 (E), SANS 497 : 2011

All technical dimensions are in accordance to British standards, Bureau of Indian Standards

DISCLAIMER: Our every effort has been made to ensure factual accuracy, the information presented subject to changes due to requirements in different sites, markets and/ or countries. All dimensions are in mm (Tolerance ± 5 MM). Jaquar reserves the right to make the necessary amendments at any time without prior notice.