



CNS-WHT-853S220SPPSM

SPECIFICATION DATA SHEET

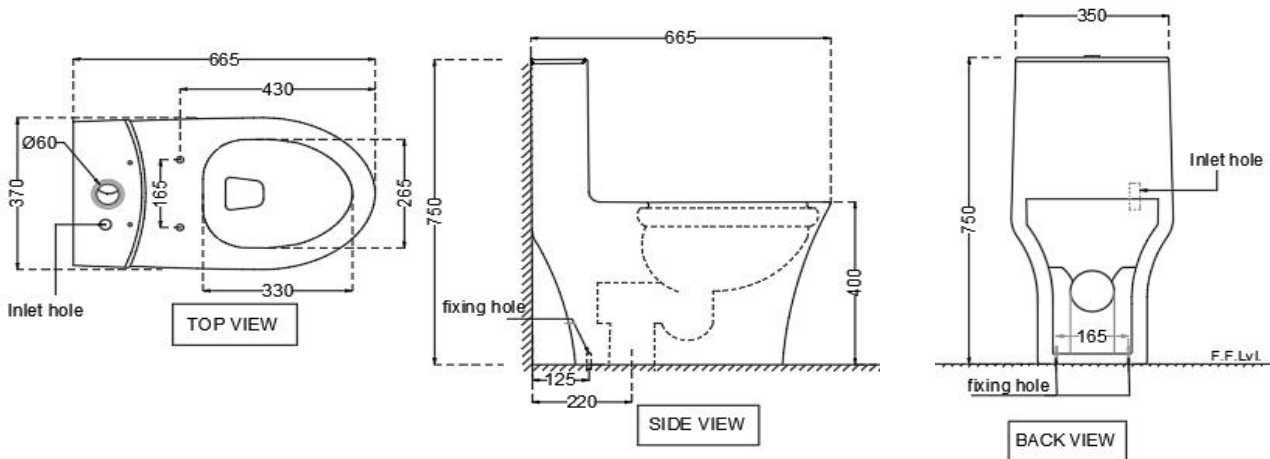
PRODUCT DETAILS

Manufacturer :	Jaquar	Type:	Single piece-WC (S trap)
Colour:	White	Flush valves	Dual Flush
Outlet	Vertical	Material:	Ceramic - Vitreous China
Technical Details:	External diameter of outlet hole dia. $\varnothing 100 \pm 5$ mm Horizontal distance between the wall line and the centre line of the waste outlet hole ≤ 220 mm		

PRODUCT IMAGE



TECHNICAL DRAWING



Product Dimension	370x665x750 mm	FEATURES Rimless Single Piece WC With PP Soft Close Slim Seat Covers, with Dual Flush-3/6 LPF, Anti germ glaze, Round shape and complete trapglaz, and flushing kit. Complete Trap glaze.
Trap Distance	S Trap - 220 mm	
Product Weight	44.20 Kg	

ACCESSORIES INCLUDED

PP Soft Close Slim Seat Cover	SLS-WHT-6103SM
Floor fixing screw	ZPS-SNS-FB01
Wax Seal	ZPS-WHT-1401

CERTIFICATION

Compliance : EN 997 :2012+A1 : 2015 (E), MS 1522:2015, MS 795 - 1 : 2019 & MS 147 : 2001, SANS 497:2011



All technical dimensions are in accordance to British standards, Bureau of Indian Standards

DISCLAIMER: Our every effort has been made to ensure factual accuracy, the information presented subject to changes due to requirements in different sites, markets and/ or countries. All dimensions are in mm (Tolerance ± 5 MM). Jaquar reserves the right to make the necessary amendments at any time without prior notice.