



CNS-WHT-853S300SPPSM

SPECIFICATION DATA SHEET

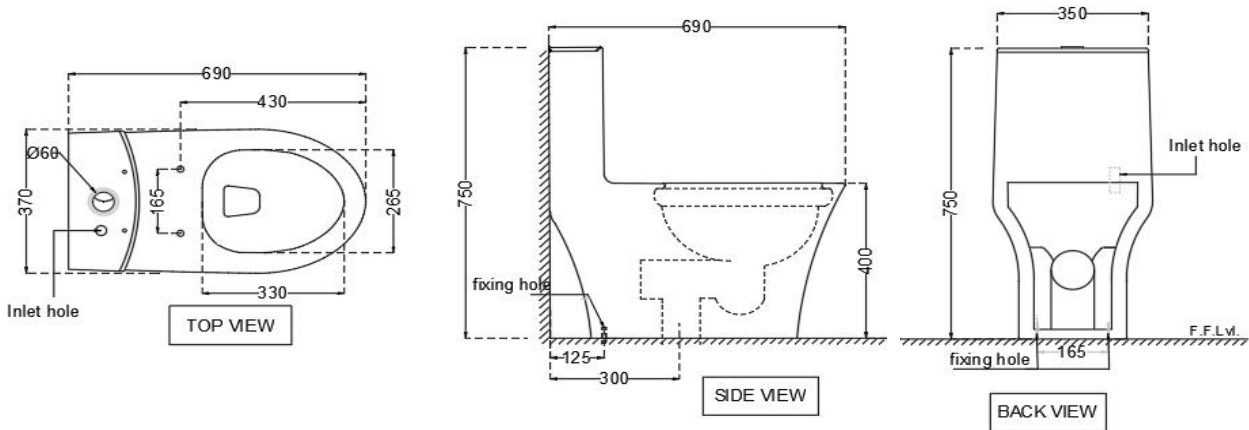
PRODUCT DETAILS

Manufacturer :	Jaquar	Type:	Single piece-WC (S trap)
Colour:	White	Flush valves	Dual Flush
Outlet	Vertical	Material:	Ceramic - Vitreous China
Technical Details:	External diameter of outlet hole dia. ϕ 100 \pm 5 mm Horizontal distance between the wall line and the centre line of the waste outlet hole \leq 300 mm		

PRODUCT IMAGE



TECHNICAL DRAWING



Product Dimension	370x690x750 mm	FEATURES Rimless Single Piece WC with oval bowl shape in white glossy finish, smooth surface, with complete accessories, PP Soft Close Slim Seat Cover, Dual Flushing - 3/6 LPF, Anti germ glaze.
Trap Distance	S Trap - 300 mm	
Product Weight	43.50 Kg	

ACCESSORIES INCLUDED

PP Soft Close Slim Seat Cover	SLS-WHT-6103SM
Floor fixing screw	ZPS-SNS-FB01
Wax Seal	ZPS-WHT-1401

CERTIFICATION

Compliance : EN 997 :2012+A1 : 2015 (E), MS 1522:2015, MS 795 - 1 : 2019 & MS 147 : 2001, SANS 497:2011



All technical dimensions are in accordance to British standards, Bureau of Indian Standards

DISCLAIMER: Our every effort has been made to ensure factual accuracy, the information presented subject to changes due to requirements in different sites, markets and/ or countries. All dimensions are in mm (Tolerance \pm 5 MM). Jaquar reserves the right to make the necessary amendments at any time without prior notice.