



LYS-WHT-38801 + LYS-WHT-38305

SPECIFICATION DATA SHEET

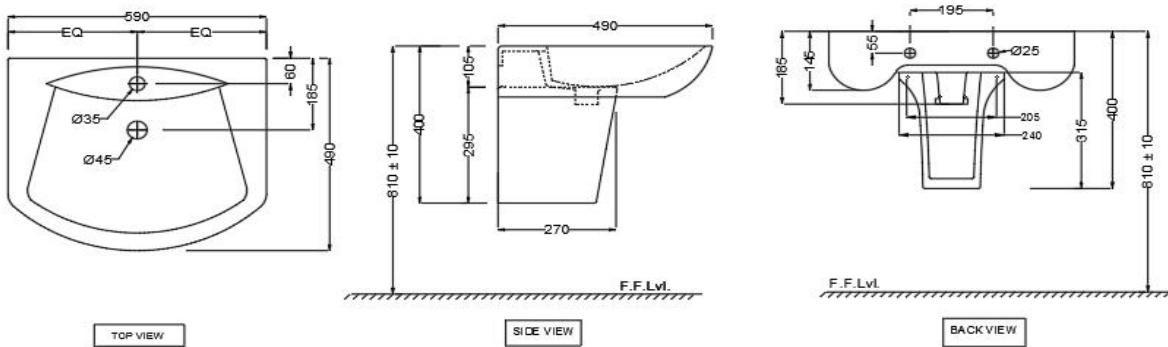
PRODUCT DETAILS

Manufacturer	Jaquar	Type	Wall Hung Basin With Half Pedestal
Outlet	Vertical	Colour	White
Technical Details	Diameter of the tap hole $\varnothing 35 +2/-1$ mm	Material	Ceramic - Vitreous China
	ID of waste outlet hole $\varnothing 45 +2 /-3$ mm Horizontal distance between the centre line of the tap hole and the centre line of the waste outlet hole ≤ 125 mm		

PRODUCT IMAGE



TECHNICAL DRAWING



Product Dimension	590x490x185 With Pedestal 400 mm	FEATURES With tap hole and over flow hole cap, Anti germ glaze
Basin Inner Dimension	500x335x125 mm	
Product Weight	20	
ACCESSORIES INCLUDED		
Overflow hole cap		ZPS-WHT-9012B
Rag bolt		ZPS-MST-RB03
Pedestal Fixing Screws		ZPS-MST-FB05

CERTIFICATION

Compliance: EN 14688 : 2015 (E) A, SANS 497 : 2011

All technical dimensions are in accordance to British standards, Bureau of Indian Standards



DISCLAIMER: Our every effort has been made to ensure factual accuracy, the information presented subject to changes due to requirements in different sites, markets and/ or countries. All dimensions are in mm (Tolerance ± 5 MM). Jaquar reserves the right to make the necessary amendments at any time without prior notice.