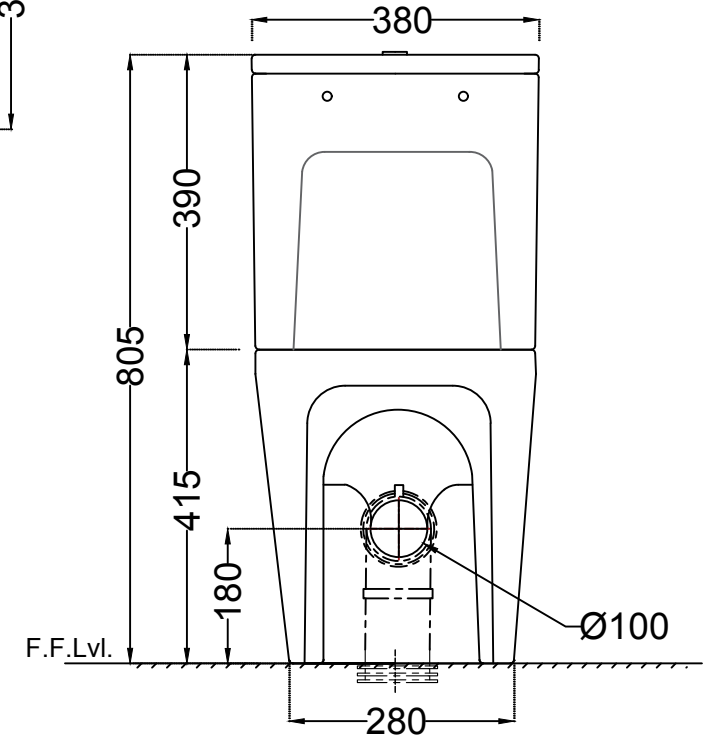
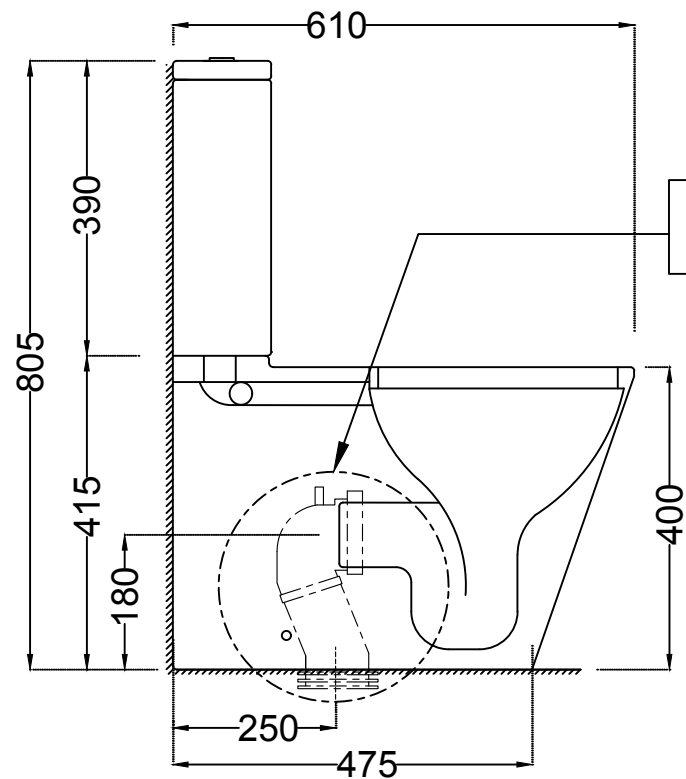


TOP VIEW




BACK VIEW



SIDE VIEW

P-trap can be converted to S-trap 250mm using conversion bend.

	Jaquar Group Global Headquarters Plot No. 3, Sector- M-11, IMT Manesar Gurgaon, NCR - 122050, India E-mail : Sales: support@jaquar.com Customer Service : service@jaquar.com		ITEM CODE	VGS-WHT-81753S250UFSMZ
	ITEM TYPE	COUPLED WC S-TRAP-250 MM		
	ITEM SIZE	380x610x805 mm		
	ALL DIMENSIONS ARE IN MM. (TOLERANCE ± 5 MM)			